

PC BOARD 2615294 BOM-NUM = 1080228
 ASSYDWG = 9084306

DATE: 4/22/2002
 SCALE: NONE

TSI TSI INCORPORATED
 ST. PAUL, MN

**SCHEMATIC DIAGRAM -
 AXD
 PCB**

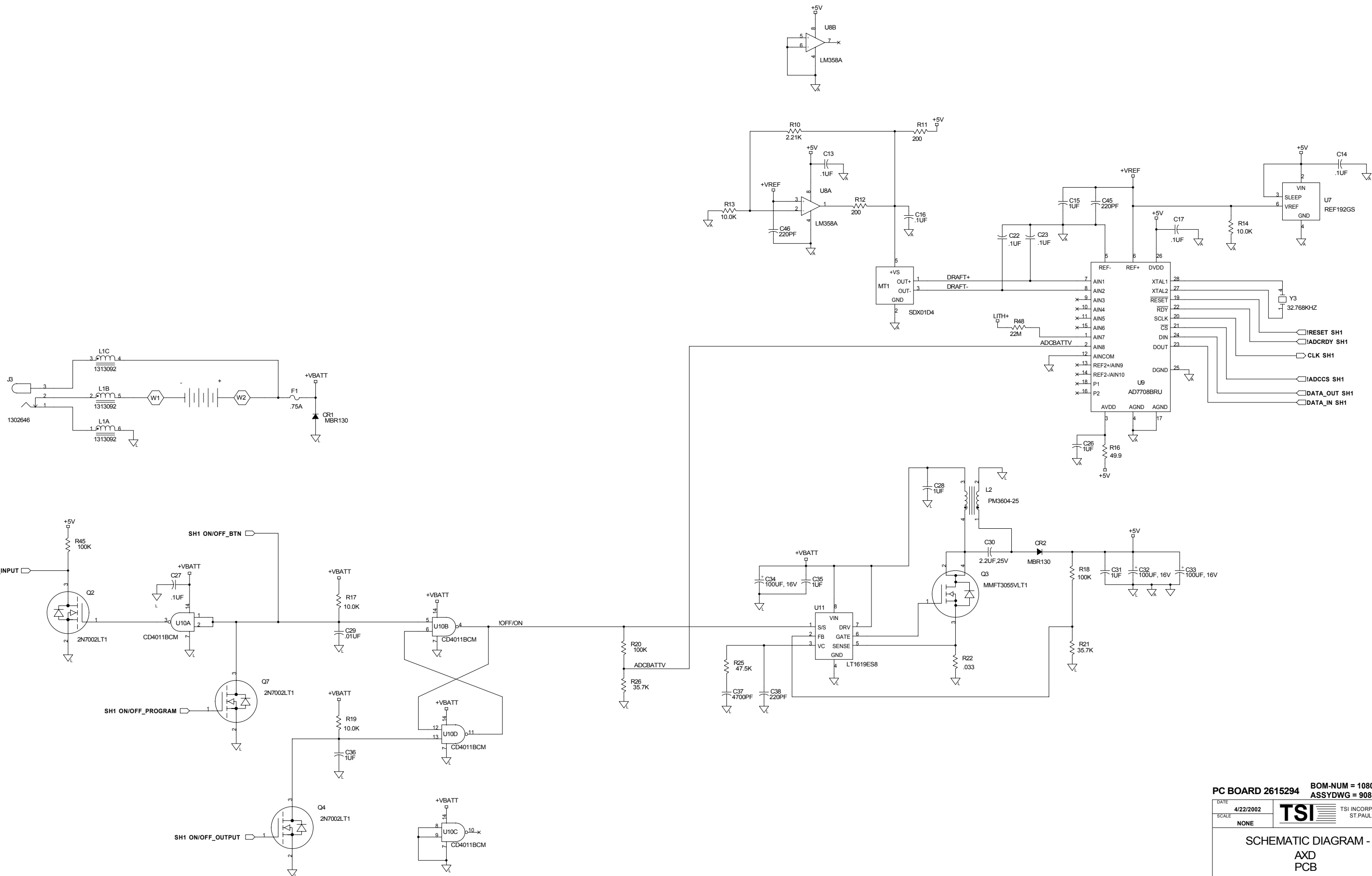
DRAWN BY: DON ACKER
 COG: B. REINHARD 1405

SIZE: DWG NO. **D 9060349**
 SHEET 1 OF 2

REV: **B**

		DS1			
		COM1	COM2	COM3	COM4
1	/	/	/	/	/
2	/	/	/	/	/
3	1F	1G	1E	1D	/
4	1A	1B	1C	DP2	/
5	2A	2B	2C	/	/
6	3A	3B	3C	DP4	/
7	COUNT	COL	DP3	/	/
8	3F	3G	3E	3D	/
9	3A	3B	3C	3D	/
10	/	/	/	/	/
11	/	/	/	/	/
12	4F	4G	4E	4D	/
13	4A	4B	4C	/	/
14	ft/min	Pa	mm Hg	x1000	/
15	m/s	l/s	in.	BATT %	/
16	s	3 h	cm	H2O	/
17	3	STA	°F	°C	/
18	TEST ID	Kr	Kd	/	/
19	/	/	/	/	/
20	/	/	/	/	/
21	/	/	/	/	/
22	/	/	/	/	/
23	/	/	/	/	/
24	/	/	/	/	/
25	/	/	/	/	/
26	SIZE	Y	/	/	/
27	AVE	SAMPLE	X	/	/
28	/	/	/	/	/
29	/	/	/	/	/
30	MAX	MIN	-	DP1	/
31	COM1	/	/	/	/
32	COM2	/	/	/	/

1408063



PC BOARD 2615294		BOM-NUM = 1080228	
		ASSYDWG = 9084306	
DATE	4/22/2002	 TSI INCORPORATED ST. PAUL, MN	
SCALE	NONE		
SCHEMATIC DIAGRAM - AXD PCB			
DRAWN BY	DON ACKER	SIZE	D
CDG	B. REINHARD 1405	DWG NO.	9060349
		SHEET	2 OF 2
		REV.	B